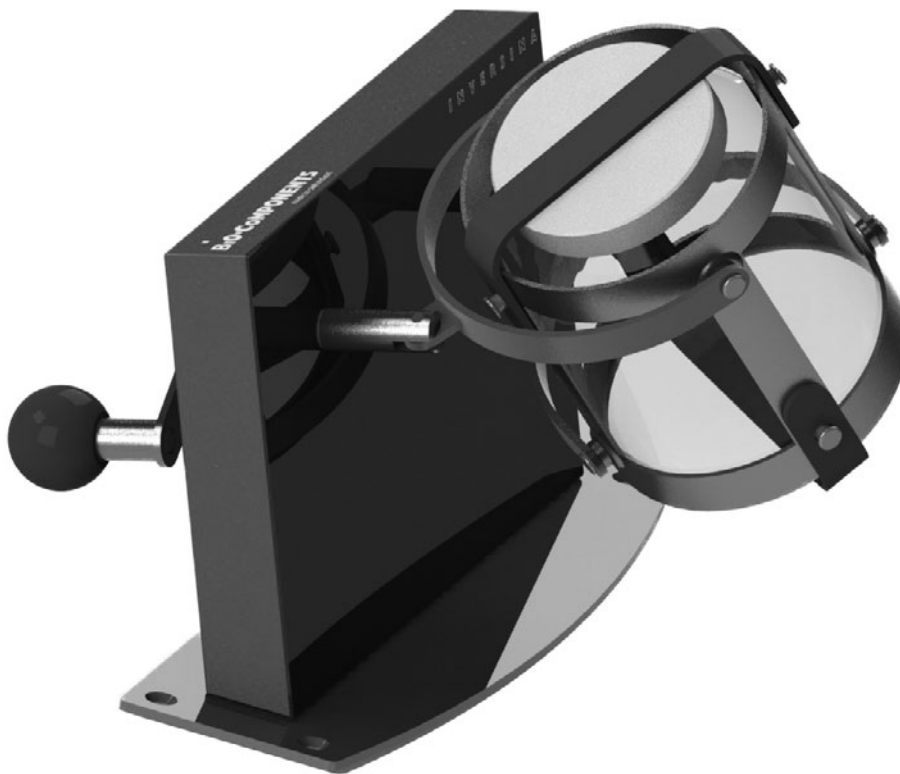


## Data sheet Inversina

### Mixing of substances

(Subject to technical modification)



### Contents

Technical data	2
Dimensions	2
Mounting	3
Loading mixing cage	3
Details for ordering	4

**Data sheet**

Inversina

0540-07 TB/Reg. 11

2/4

**Technical data**

(Subject to technical modification)

Length/Width/Height	350/290/260 mm	13.8 / 11.4 / 10.2 inch
Total weight	~ 8.7 kg	~ 19.2 lb
Empty weight	~ 4.7 kg	~ 10.4 lb
Max. filling weight	~ 4.0 kg	~ 8.8 lb
Max. filling degree	~ 75 %	~ 75 %

**Mixing vessel (PET)**

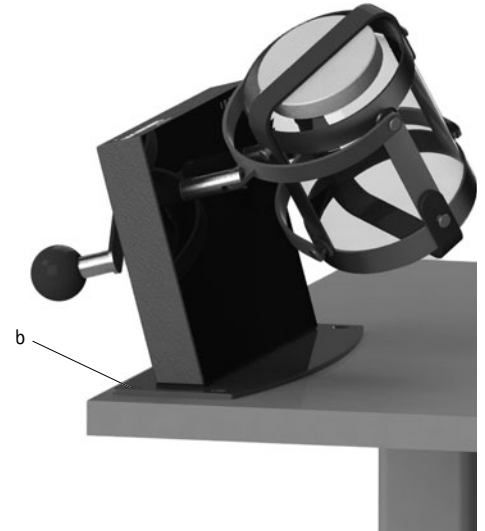
1.5 L	ø120 mm x H 165 mm	ø 4.72 inch x H 6.5 inch
2 L	ø120 mm x H 210 mm	ø 4.72 inch x H 8.26 inch

**Dimensions**



**Mounting**

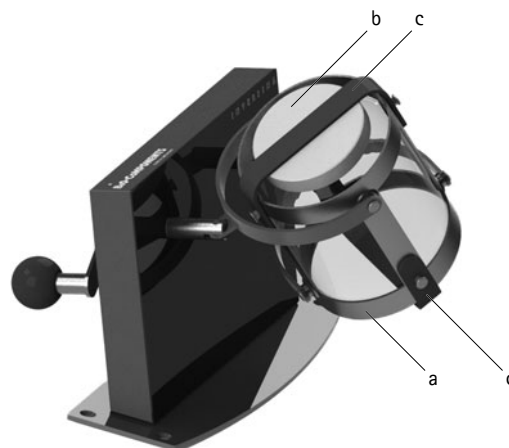
- a) Screw clamp
- b) Screws



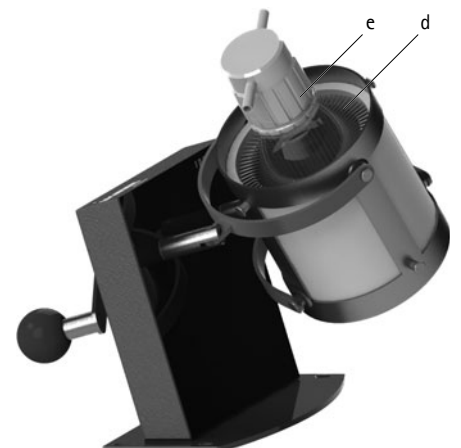
**Loading mixing cage**

Loading with band clamp

- a) Mixer cage
- b) Mixing vessel
- c) Band clamp
- d) Brush insert
- e) Laboratory flask



Loading with brush insert



**Data sheet**

Inversina

0540-07 TB/Reg. 11

4/4

Details for ordering	Part no.
----------------------	----------

**Inversina (without mixing vessel)\***

Version 1.5L	11438.1
Version 2L	11438.2

\* including screw clamps for table mounting.  
Mounting screws on request.

Options
---------

**Mixing vessel (PET)**

1.5L	54180
2L	54181

Brush insert	50995
--------------	-------

Spare parts
-------------

**Band clamp**

Version 1.5L	47888.1
Version 2L	47888.2