



INSPEX HD TABLE

HIGH-DEFINITION
DIGITAL MICROSCOPE



INSPEX HD TABLE

HIGH-DEFINITION DIGITAL MICROSCOPE



A portable full HD solution for rapid inspection in manufacturing plants. Fully integrated, compact stand allows it to be used in any part of the production environment. Experience Full HD image quality with no delay. The ideal solution for those wishing to digitise and simplify their inspection process.

Ergonomically designed, allowing for less operator fatigue and improved production efficiency. Simple, fast, high-quality inspection. Ideal for repair, rework, assembly and quality control in any manufacturing industry.

FEATURES & BENEFITS

Instantly transform your production process with Inspex HD Table

Compact and Portable

Fully portable, compact design with a small footprint.

Experience the power of the Inspex HD wherever you need it with its simple configuration. Simply plug in, switch on, and inspect.

Superb Image Quality

Accurate and detailed inspection with superb HD image resolution, colour reproduction, contrast and resolution and integrated LED illumination.

Zero Video Latency

Real-time movement under Inspex HD, resulting in a more efficient inspection process.

View parts in real time with no video lag, allowing you to comfortably inspect, rework, modify or assemble anything.



FEATURES & BENEFITS

Instantly transform your production process with Inspex HD Table

Image Capture

Easy documentation and traceability for accurate quality control records. Store images directly to USB. Simply plug and go!

Working Distance

SLWD (Super Long Working Distance) objective lens for extra-large part viewing.

Wide Dynamic Range

View dark and bright areas simultaneously without saturation. Wide Dynamic Range uses overlapping multiple exposures depending on the saturation level of each pixel.

On Screen Dimensioning

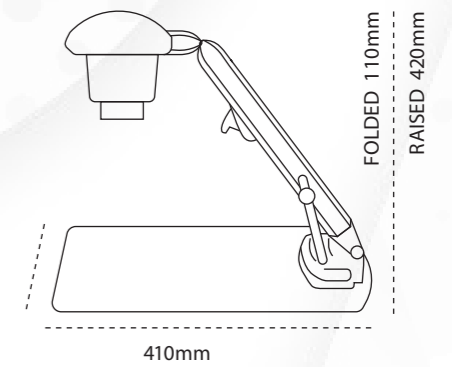
Integrated, real time, on screen patented measuring grids and cursors provide a simple and effective way to measure without a PC.



Included System Components



Technical Specifications



LENSES

+5 Lens



OTHERS

Memory Stick, HDMI Cable

Optional System Components



LENSES

+3 Lens

AI 280-129

+4 Lens

AI 280-125

+5 Lens

AI 280-123

+10 Lens

AI 280-124

Lens Polarizing Filter

AI 280-145

Lens Protector

AI 100-061



LIGHTS

8-Point LED Ring Light

AI 100-012

Polarizer for 8-Point LED Ring Light

AI 100-000

Diffused LED Dome Light

AI 100-001

LED Fibre Optic Illuminator with Dual Gooseneck

AI 100-033

UV Ring Light

AI 100-026 220V 254nm

AI 100-005 220V 375nm

AI 100-035 110V 254nm

AI 100-034 110V 375nm



CONTROLLERS

KP1 External Keypad

AI 801-414

Required to activate dimensioning grids

Footswitch

AI 801-415



OTHERS

Ash PC Capture

AI 100-052

24" Monitor

AI 801-416

Hard Case

AI 801-561

Soft Case

AI 801-566



STANDS & STAGES

XY Stage

AI 100-010



Track Stand Vesa Flex Cam

AI 100-028



Track Stand Vesa & Vesa Short Flex Cam

AI 100-019



Track Stand Vesa Short

AI 100-020



Uplight Track Stand Vesa & Vesa Short Flex Cam

AI 100-023

XY Stage for Uplight

AI 100-011

Oblique Tilting Stage

AI 801-414

Height Adjustable Stage

AI 801-413

XY Stage Large

AI 100-057

Magnification

Lens (Dioptre) (mm)	2	3	4	5	10
Max Height (mm)	500	333	250	200	100
Min Height	405	280	205	170	85
Minimum Magnification*	1.1	1.3	2	2.5	4
Maximum Magnification* Optical/Digital	29/57	36/71	50/98	62/122	121/237
Field of view at minimum mag. (mm)	X: 595 Y: 334	X: 400 Y: 225	X: 280 Y: 164	X: 231 Y: 136	X: 60 Y: 50
Field of view at maximum mag. (mm)	X: 20/10 Y: 11/5.5	X: 14/7 Y: 8/4	X: 10/5 Y: 6/3	X: 8/4 Y: 5/2	X: 5/2 Y: 3/1
Maximum depth of field	176	120	106	78	57
Minimum depth of field	5	4	1	.50	.20

Technical Specifications

	Table
Zoom Range (with supplied Lens)	4D lens – 2x - 98x
Camera Resolution	HD 1080p, 1920 x 1080 at 50/60 Hz
Monitor Connections	HDMI / DVI
Monitor Requirements	HD Ready / Full HD (Recommended)
Power	8 Watts
Dimensions	Table 240mm x 410mm Folded Height 110mm, Raised Height 420mm
Weight	2.5kg
Operating Temperature	Storage -10°C to +60°C Operating +5°C to +40°C
Image capture	USB 2.0 highspeed



ASH HQ - Ireland
B5, M7 Business Park,
Naas, Co. Kildare
W91 P684
+353 (0) 45 88 22 12

ASH UK
Covert Farm, Long Lane,
Easte Haddon,
Northamptonshire
NN6 8DU
+44 (0) 7592 523 767



reddot award
product design
winner



sales@ashvision.com
www.ashvision.com

Images, descriptions and technical data subject to change. Ash reserve the right to make changes without notice.



Printed on recycled paper